

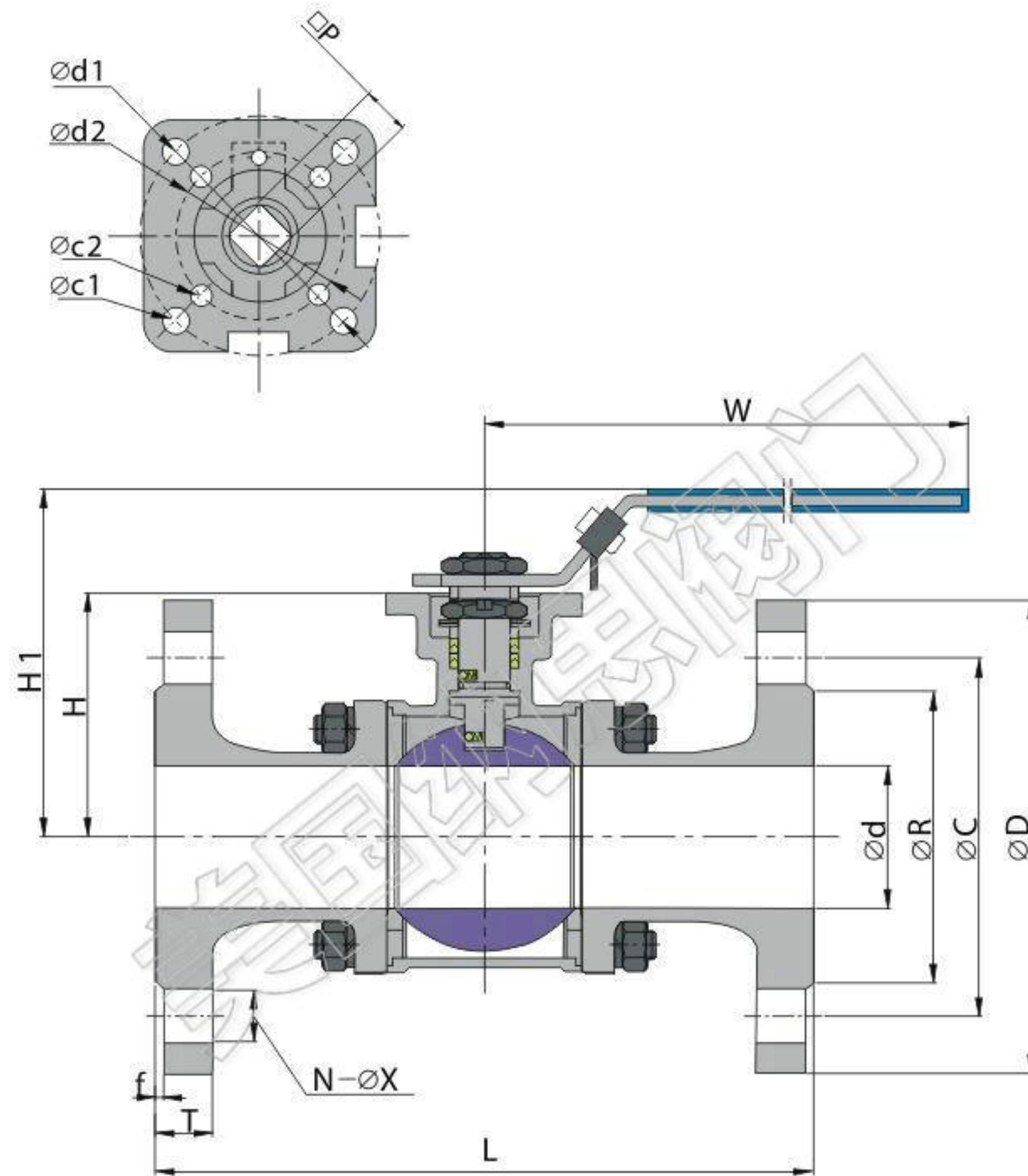
Flanged Ball Valves

**FEATURES:**

- Anti-Static Devices For Ball- Stem- Body
- Blow-out Proof Stem
- Pressure Balance Hole In Ball Slot
- Built In ISO 5211 Direct Mounting Pad For Easy Automation

**STANDARDS:**

- Design: ASME B16.34
- Wall Thickness: ASME B16.34
- Fire Safe: API 607 ISO 10497
- Face to Face: JIS B2002
- End Flange: JIS B2220
- Inspection & Testing: JIS B2003



Unit:mm ■ JIS 10K

Size	Pressure	L	$\varnothing d$	$\varnothing R$	$\varnothing C$	$\varnothing D$	H	H1	E	T	f	N	$\varnothing X$	$\varnothing d1$	$\varnothing d2$	$\varnothing C1$	$\varnothing C2$	$\square P$	ISO-5211
1/2"	10K	108	15	51	70	95	48.5	75.5	110	12	1	4	15	42	36	6	6	9	F03/F04
3/4"	10K	117	20	56	75	100	53.5	80	110	14	1	4	15	42	36	6	6	9	F03/F04
1"	10K	127	25	67	90	125	59	90	160	14	1	4	19	50	42	7	6	11	F04/F05
1-1/4"	10K	140	32	76	100	135	71	102	160	16	2	4	19	50	42	7	6	11	F04/F05
1-1/2"	10K	165	38	81	105	140	77.5	114	185	16	2	4	19	70	50	9	7	14	F05/F07
2"	10K	178	50	96	120	155	85	121.5	185	16	2	4	19	70	50	9	7	14	F05/F07
2-1/2"	10K	190	65	116	140	175	98	168	305	18	2	4	19	102	70	11	9	17	F07/F10
3"	10K	203	78	126	150	185	110	178	305	18	2	8	19	102	70	11	9	17	F07/F10
4"	10K	229	100	151	175	210	130	198	305	18	2	8	19	102	70	11	9	19	F07/F10
5"	10K	356	125	182	210	250	165	234	500	20	2	8	23	125	102	14	12	22	F12/F14