

FEATURES:

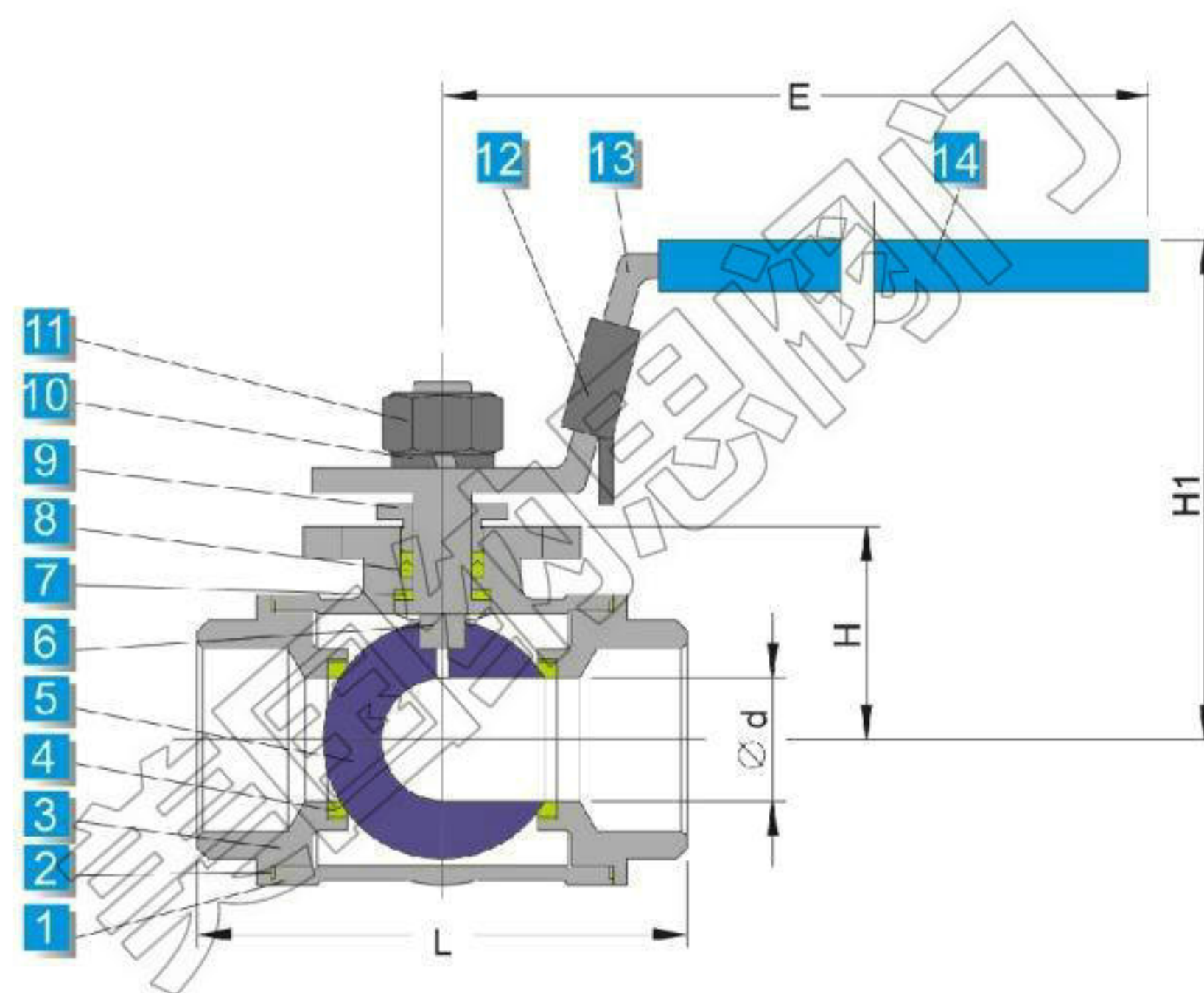
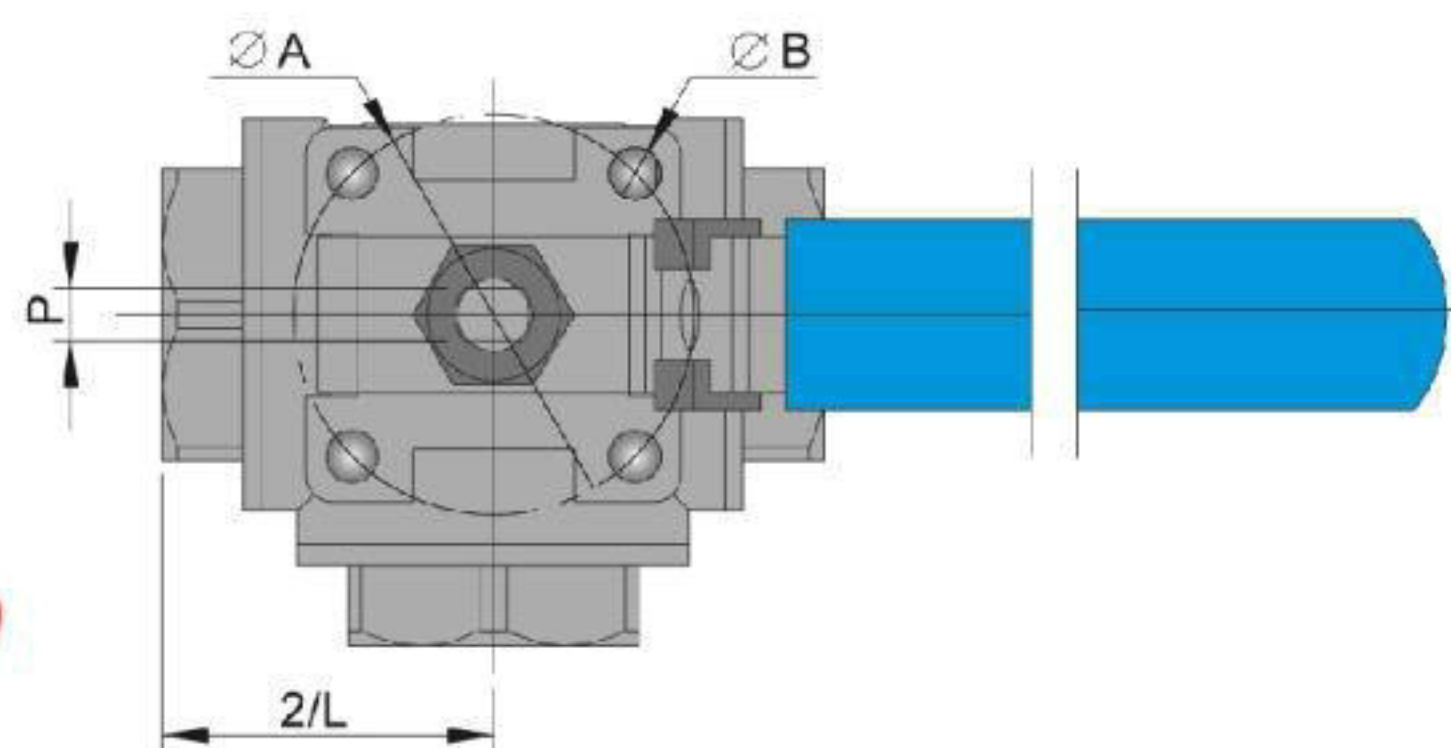
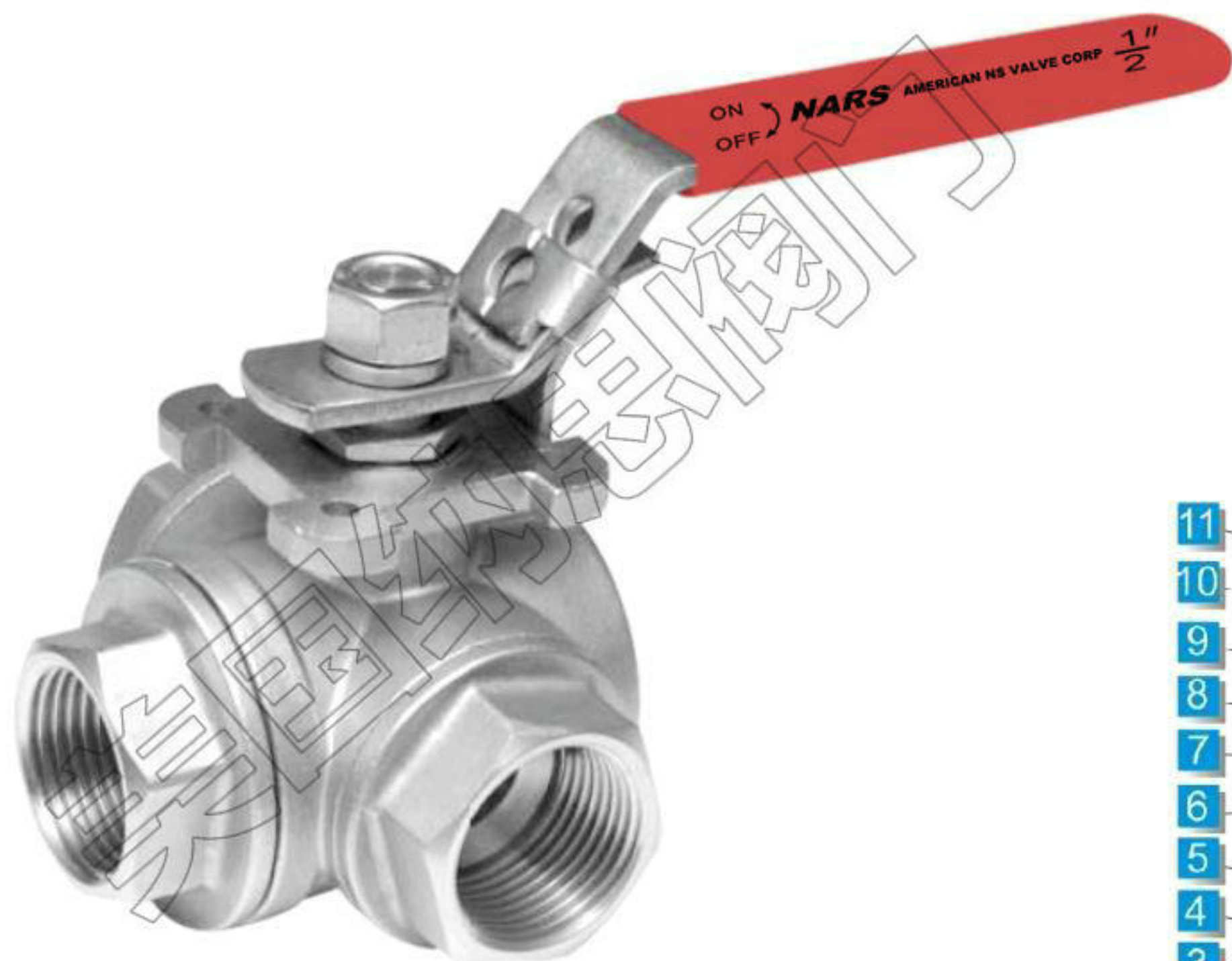
- L Port
- T Port
- Reduced Port
- Various Thread Standards Available
- Built In ISO 5211 Bracket Mount For Easy Automation

STANDARDS:

- Design ASME B16.34
- Wall Thickness: ASME B16.34
- Pipe Thread: ASME B1.20.1, BS21
- DIN 2999/259, ISO 228/1, JIS B 0203, ISO 7/1
- Inspection & Testing: MSSSP-110, EN 12266

No.	PARTS NAME	MATERIAL		
1	Body	CF8M	CF8	WCB
2	Body Gasket	PTFE		
3	Cap	CF8M	CF8	WCB
4	Seat	PTFE	RPTFE	PPL
5	Ball	CF8M	CF8	
6	Stem	SUS316	SUS304	
7	Thrust Washer	PTFE		
8	Stem Packing	PTFE	RPTFE	
9	Stop Nut	SUS304		
10	Spring Washer	SUS304		
11	Stem Nut	SUS304		
12	Locking Device	SUS301		
13	Handle	A194-B8		
14	Handle Cover	Plastic		

Threaded Ball Valves



Unit:mm

Size	L	Ød	H	H1	E	P	ØA	ØB	Thread
1/4"	50	8	28	60.5	120	5	36	M5	NPT, MPT, BSPT, BSP, DIN, PT, etc.
3/8"	50	8	28	60.5	120	5	36	M5	
1/2"	68	12	28	60.5	120	5	36	M5	
3/4"	82	15	33	65.5	120	6	42	M5	
1"	88	18	35.5	71	160	7	42	M5	
1-1/4"	115	25	44.5	80	160	7	42	M5	
1-1/2"	133	32	52	95.5	175	9	50	M6	
2"	143	38	57	100.5	175	9	50	M6	