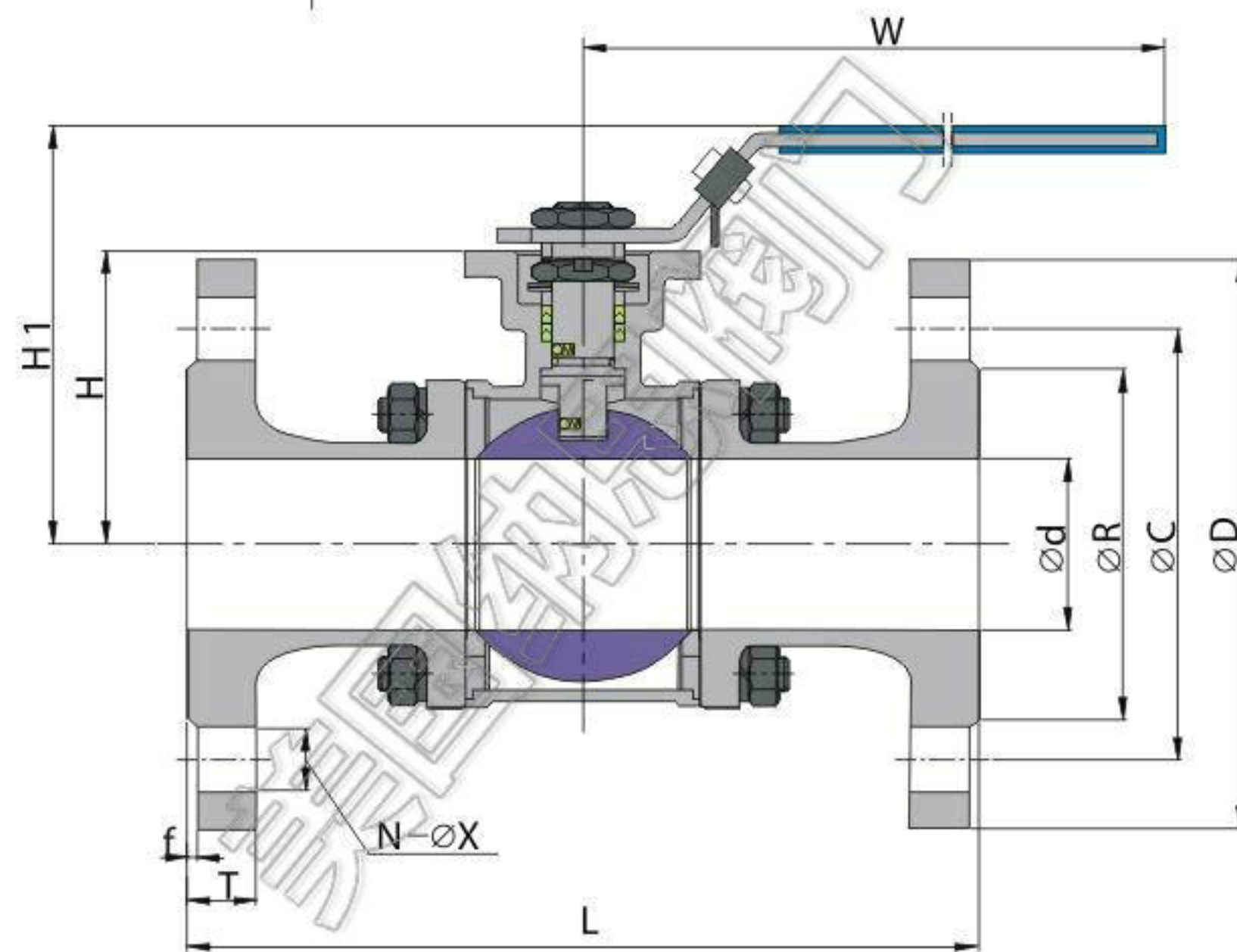
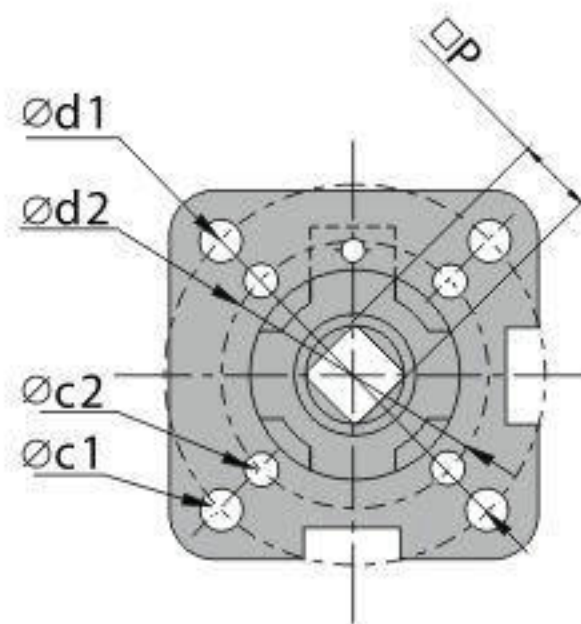


FEATURES:

- Anti-Static Devices For Ball- Stem- Body
- Blow-out Proof Stem
- Pressure Balance Hole In Ball Slot
- Built In ISO 5211 Direct Mounting Pad For Easy Automation

STANDARDS:

- Design: DIN 3357 EN 12516-1
- Wall Thickness: ASME B16.34 EN 12516-1
- Fire Safe: API 607 ISO 10497
- Face to Face: DIN 3202
- End Flange: DIN EN 1092-1
- Inspection & Testing: DIN 3230 EN 12266



Unit:mm ■ DIN PN16/40

Size	Pressure	L	$\varnothing d$	$\varnothing R$	$\varnothing C$	$\varnothing D$	H	H1	E	T	f	N	$\varnothing X$	$\varnothing d1$	$\varnothing d2$	$\varnothing C1$	$\varnothing C2$	$\square P$	ISO-5211
1/2"	PN16-40	130	15	45	65	95	48.5	75.5	110	14	2	4	14	42	36	6	6	9	F03/F04
3/4"	PN16-40	150	20	58	75	105	53.5	80	110	16	2	4	14	42	36	6	6	9	F03/F04
1"	PN16-40	160	25	68	85	115	59	90	160	16	2	4	14	50	42	7	6	11	F04/F05
1-1/4"	PN16-40	180	32	78	100	140	71	102	160	16	2	4	18	50	42	7	6	11	F04/F05
1-1/2"	PN16-40	200	38	88	110	150	77.5	114	185	16	3	4	18	70	50	9	7	14	F05/F07
2"	PN16-40	230	50	102	125	165	85	121.5	185	18	3	4	18	70	50	9	7	14	F05/F07
2-1/2"	PN16	290	65	122	145	185	98	168	305	18	3	4	18	102	70	11	9	17	F07/F10
3"	PN16	310	78	138	160	200	110	178	305	20	3	8	18	102	70	11	9	17	F07/F10
4"	PN16	350	100	158	180	220	130	198	305	20	3	8	18	102	70	11	9	19	F07/F10
5"	PN16	400	125	188	210	250	165	234	500	22	3	8	18	125	102	14	12	22	F12/F14