

FEATURES:

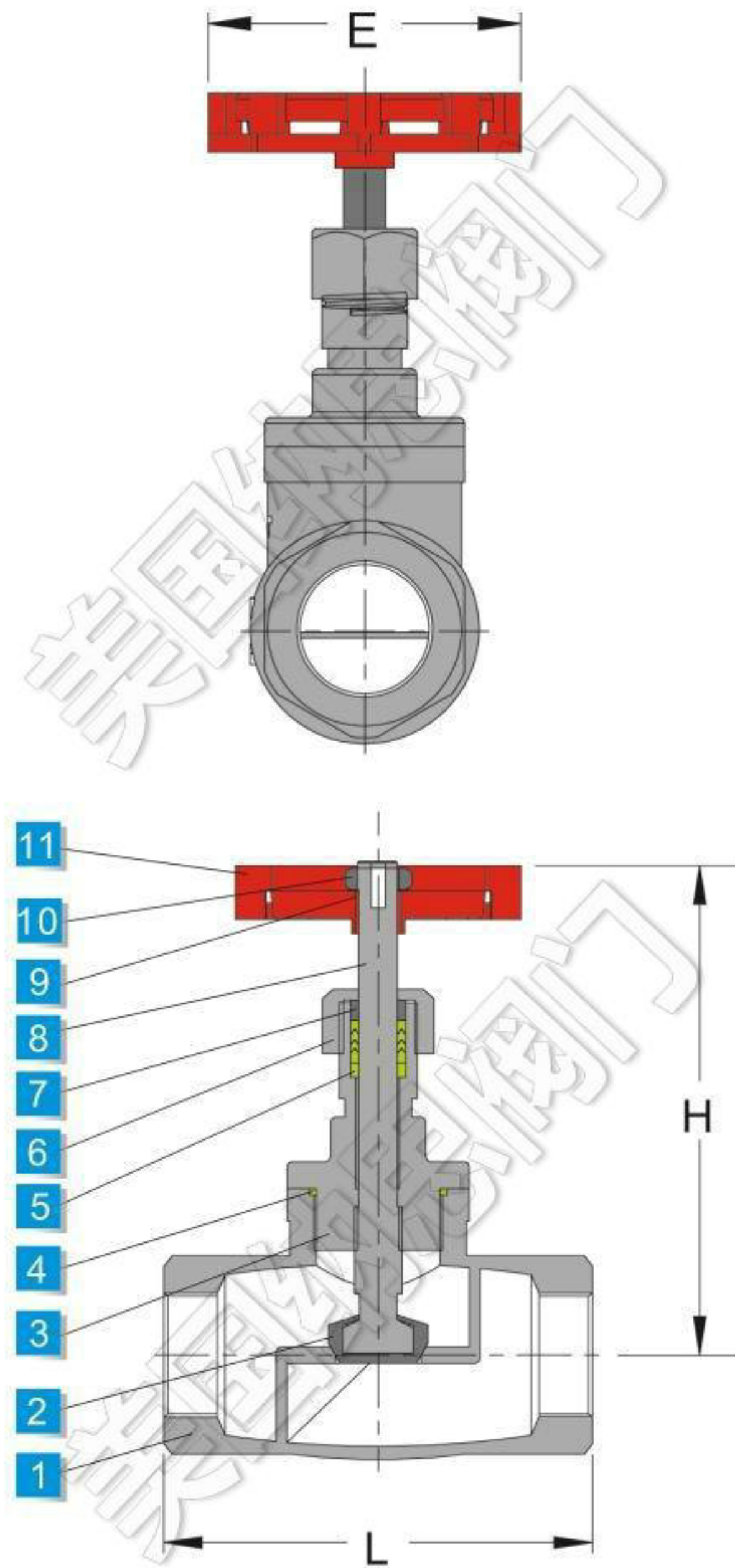
- Various Thread Standards Available
- Stainless Steel One Piece Seat
- Using Dewaxing Precision Casting

STANDARDS:

- Design: ASME B16.34
- Wall Thickness: ASME B16.34
- Pipe Thread: ASME B1.20.1, BS21
- DIN 2999/259, ISO 228/1, JIS B 0203, ISO 7/1
- Inspection & Testing: MSS SP-110, EN 12266

No.	PARTS NAME	MATERIAL	
1	Body	CF8M	CF8
2	Disc	CF8M	CF8
3	Cap	CF8M	CF8
4	Body Gasket	PTFE	
5	V-Ring Packing	PTFE	
6	Cap Nut	CF8M	
7	Gland	SUS304	
8	Stem	SUS316	SUS304
9	Washer	SUS304	
10	Stem Nut	SUS304	
11	Wheel Handle	Aluminum	

Threaded Gate & Globe Valves



Unit:mm

Size	1/4"	3/8"	1/2"	3/4"	1"	1-1/4"	1-1/2"	2"
	DN6	DN10	DN15	DN20	DN25	DN32	DN40	DN50
L	60	60	65	80	90	105	120	140
H	80	80	82	90	97	115	125	139
E	70	70	70	70	70	90	90	90