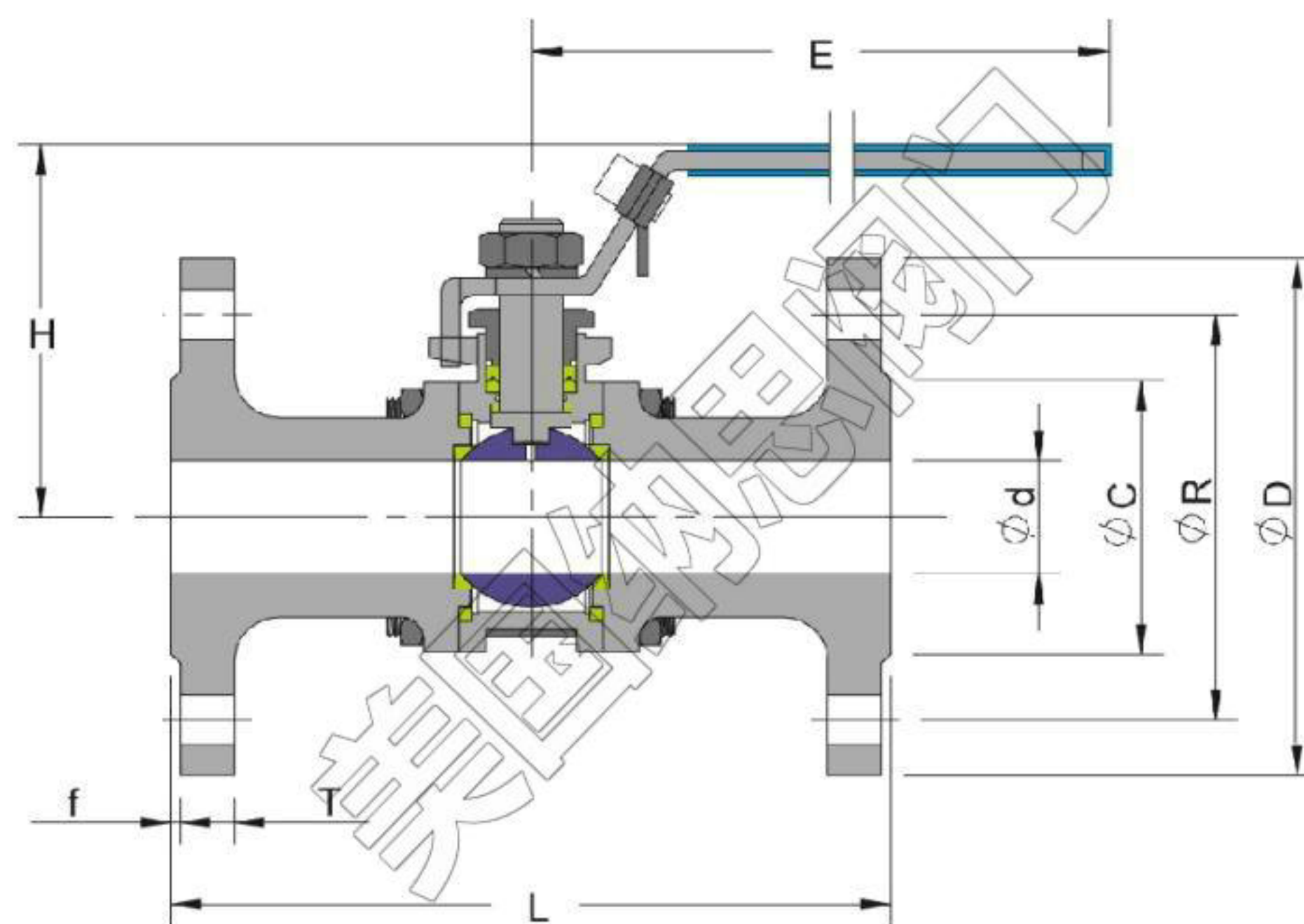


### FEATURES:

Anti-static Devices For Ball- Stem- Body  
 Blow-out Proof Stem  
 Pressure Balance Hole In Ball Slot  
 Using Dewaxing Precision Casting

### STANDARDS:

Design: DIN 3357 EN 12516-1  
 Wall Thickness: ASME B16.34 EN 12516-1  
 Fire Safe: API 607 ISO 10497  
 Face to Face: DIN 3202  
 End Flange: DIN EN 1092-1  
 Inspection & Testing: DIN 3230 EN 12266



Unit:mm ■ DIN PN16/40

Size	Pressure	L	Ød	ØC	Ø R	ØD	H	E	T	f
15"	PN16-40	130	15	45	65	95	76.5	160	14	2
20"	PN16-40	150	20	58	75	105	89	160	16	2
25"	PN16-40	160	25	68	85	115	91.5	180	16	2
32"	PN16-40	180	32	78	100	140	104.5	200	16	2
40"	PN16-40	200	38	88	110	150	111	220	16	3
50"	PN16-40	230	48	102	125	165	120	220	18	3
65"	PN16	290	65	122	145	185	145	280	18	3
80"	PN16	310	76	138	160	200	155.5	280	20	3
100"	PN16	350	100	158	180	220	168	300	20	3