

### FEATURES:

Various Thread Standards Available

Stainless Steel One Piece Seat

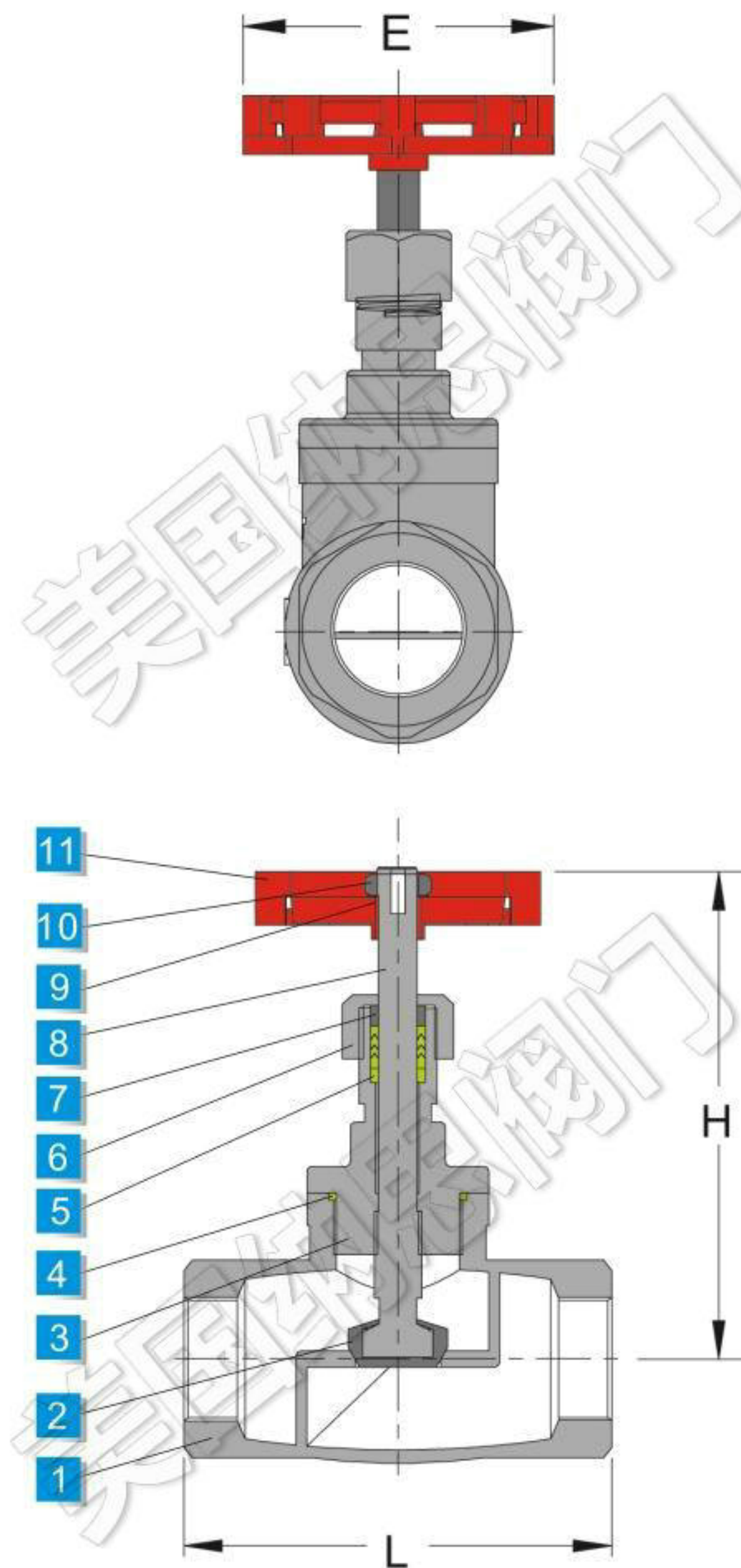
Using Dewaxing Precision Ca

### STANDARDS:

Design ASME B16.34  
 Wall Thickness: ASME B16.34  
 Pipe Thread: ASME B1.20.1,BS21  
 DIN 2999/259,ISO 228/1 JIS B 0203,ISO 7/1  
 Inspection & Testing: MSS SP-110,EN 12266

Threaded Gate & Globe Valves

No.	PARTS NAME	MATERIAL	
1	Body	CF8M	CF8
2	Disc	CF8M	CF8
3	Cap	CF8M	CF8
4	Body Gasket	PTFE	
5	V-Ring Packing	PTFE	
6	Cap Nut	CF8M	
7	Gland	SUS304	
8	Stem	SUS316	SUS304
9	Washer	SUS304	
10	Stem Nut	SUS304	
11	Wheel Handle	Aluminum	



Unit:mm

Size	1/4"	3/8"	1/2"	3/4"	1"	1-1/4"	1-1/2"	2"
	DN6	DN10	DN15	DN20	DN25	DN32	DN40	DN50
L	52	52	52	66	76	86	94	118
H	95	95	95	100	110	130	130	149
E	70	70	70	80	80	90	100	100